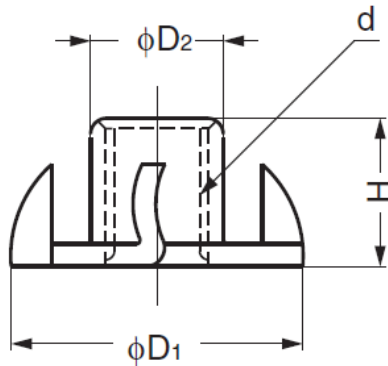


GSC-124 Glide Base

Material

- Steel, clear zinc chromate



Part No.	d	D	H	h
GSC-124-4	M4	15	5.6	8
GSC-124-6	M6	19	7.5	9
GSC-124-9	M8	22.2	9.9	11
GSC-124-10	M10	25.5	11.6	13

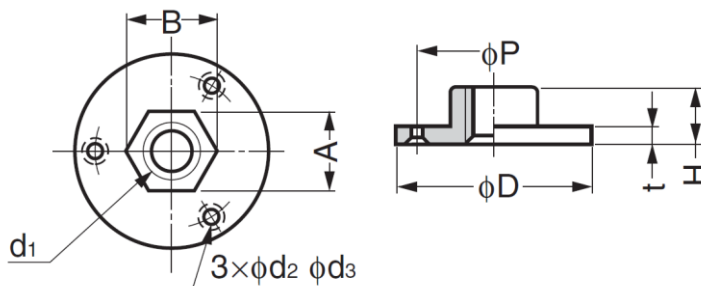
GAD-555 Glide Base

Material

- Zinc alloy, zinc chromate finish

Recommended Screw

- Countersunk nominal 3.1 (GAD-555-25: countersunk nominal 2.7)



Part No.	d ₁	D	H	t	P	d ₂	d ₃	A	B
GAD-555-25-M8	M8	25	8	2.7	19	3.2	5.3	11.2	12.5
GAD-555-28-M10	M10	28	9		20		6.4	13	14
GAD-555-25	W5/16	25	8		19		5.3	11.2	12.5
GAD-555-28	W3/8	28	9		20		6.4	13	14
GAD-555-39	W1/2	39	11	3	30			15.8	16.8